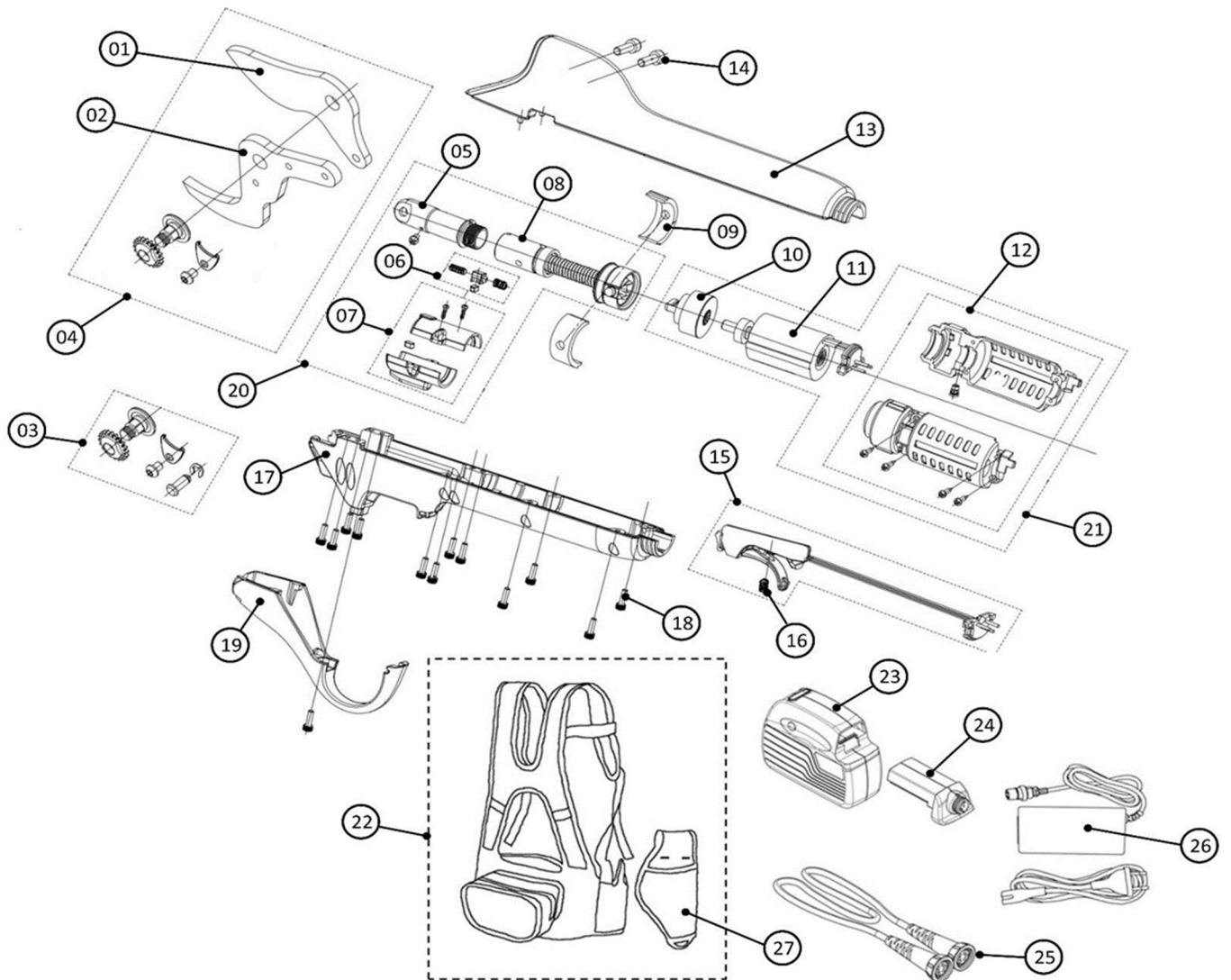


E-PRUNER KV700 - PRUNER



E-PRUNER KV700 - LARGE PRUNER

| Pos. | Code | Part Description | Part per Machine | Pcs per Package |
|------|-----------|----------------------------------|------------------|-----------------|
| 1 | KV700R18 | Moving Blade Ø38 | 1 | 1 |
| 2 | KV700R19 | Fixed Blade Ø38 | 1 | 1 |
| 3 | KV700R35 | Blade installing screw | 1 | 1 |
| 4 | KV700R17 | Blade assembly Ø38 | 1 | 1 |
| 5 | KV700R36 | Push rod | 1 | 1 |
| 6 | KV700R37 | Travel magnet assembly | 1 | 1 |
| 7 | KV700R38 | Nut dustproof assembly | 1 | 1 |
| 8 | KV700R39 | Nut assembly | 1 | 1 |
| 9 | KV600R03K | Bear support | 1 | 1 |
| 10 | KV600R40 | Gear assembly | 1 | 1 |
| 11 | KV600R41 | Electric motor | 1 | 1 |
| 12 | KV600R42 | Motor cover assembly | 1 | 1 |
| 13 | KV700R28 | Top Cover | 1 | 1 |
| 14 | KV600R24K | Screw M5x13.5 | 2 | 10 |
| 15 | KV700R01 | Trigger assembly | 1 | 1 |
| 16 | KV600R12K | Trigger spring | 1 | 10 |
| 17 | KV700R29 | Lower cover | 1 | 1 |
| 18 | KV600R08K | Screw M3x10 | 13 | 20 |
| 19 | KV700R27 | Trigger cover | 1 | 1 |
| 20 | KV700R02 | Lead screw assembly | 1 | 1 |
| 21 | KV600R25 | Motor and gear assembly | 1 | 1 |
| 22 | KV600R31 | Back pack for battery KV600R70 | 1 | 1 |
| 23 | KV600R70 | Battery 44v 4,4Ah | 1 | 1 |
| 24 | KV600R71 | Controller for battery 44v 4,4Ah | 1 | 1 |
| 25 | KV600R30 | Cable | 1 | 1 |
| 26 | KV600R32 | Charger | 1 | 1 |
| 27 | KV500R32 | Holster | 1 | 1 |